

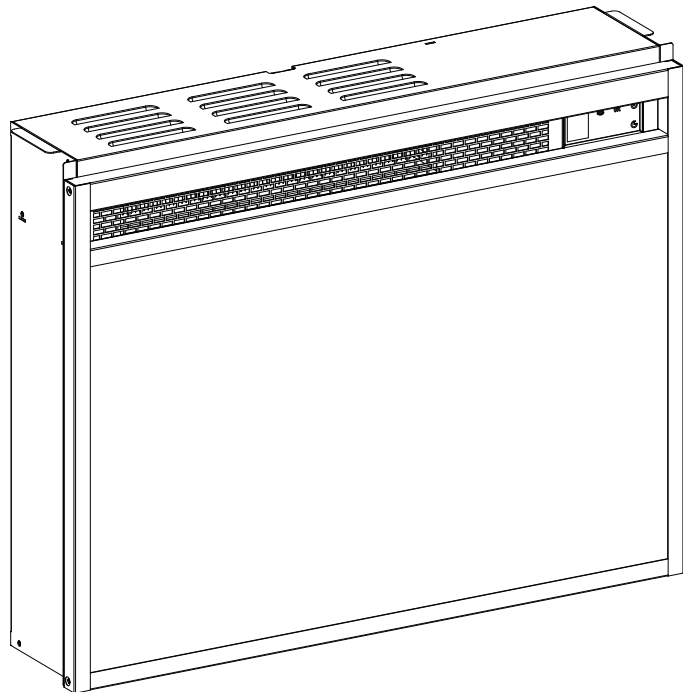
# 7250096COM Electric Fireplace Insert



B347250096COM00TD

Date of Purchase \_\_\_\_ / \_\_\_\_ / \_\_\_\_

Lot Number: \_\_\_\_\_



**RV23P80L**

**CONSUMER SAFETY INFORMATION: PLEASE READ THIS MANUAL BEFORE INSTALLING AND OPERATING THIS APPLIANCE. FAILURE TO FOLLOW THESE INSTRUCTIONS MAY RESULT IN A POSSIBLE ELECTRIC SHOCK, FIRE HAZARD, AND/OR INJURY AND WILL VOID THE WARRANTY.**

**WARNING: IF THE INFORMATION IN THIS MANUAL IS NOT FOLLOWED, AN ELECTRIC SHOCK OR FIRE MAY RESULT IN PROPERTY DAMAGE, PERSONAL INJURY, OR LOSS OF LIFE.**

**THIS INSTRUCTION BOOKLET CONTAINS IMPORTANT SAFETY INFORMATION. PLEASE READ AND KEEP FOR FUTURE REFERENCE.**

### **Do Not Return This Product!**

Contact our customer service team for help first.

**Call:** 1-800-489-3351 (toll free)

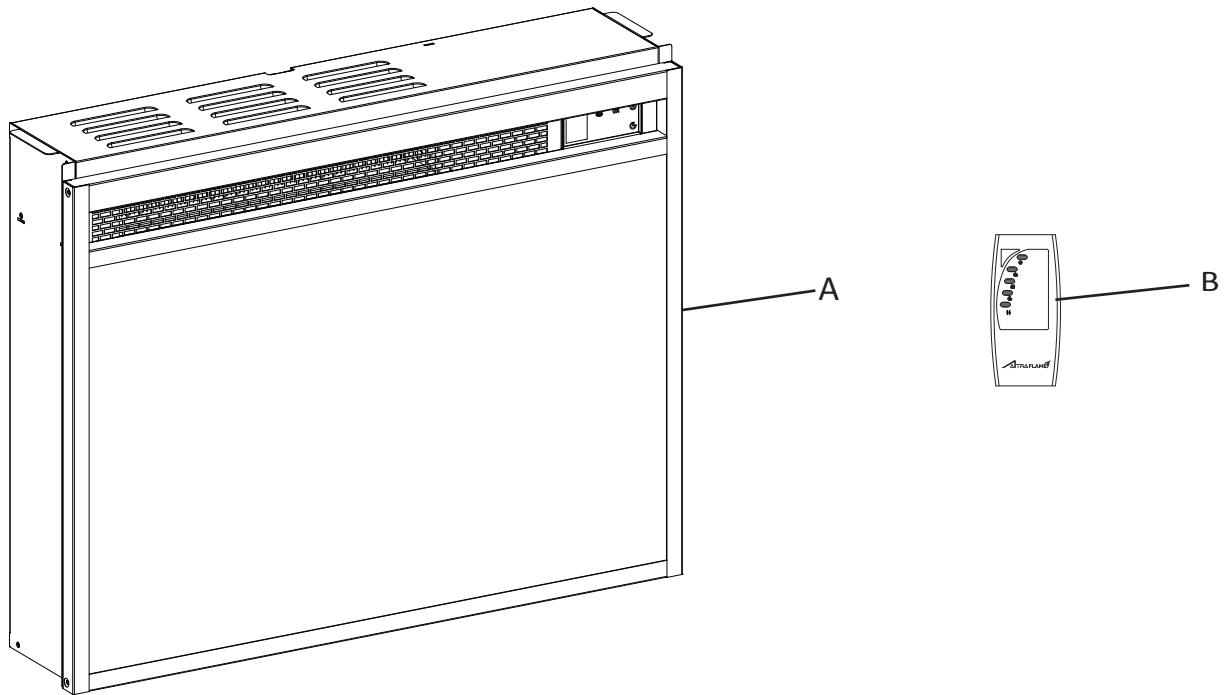
Monday-Friday 9am - 5pm CST

**Visit:** [www.ameriwoodhome.com](http://www.ameriwoodhome.com)

Follow Ameriwood Home



# PACKAGE CONTENTS



Part	Part Number	Description	Quantity
A	7250096COM010	Electric fireplace	1
B	7250096COM020	Remote Control	1

# IMPORTANT INSTRUCTIONS

When using electrical appliances, basic precautions should always be followed to reduce the risk of fire, electrical shock, and/or injury including the following:

1. Read all instructions before using this heater.
2. This heater is hot when in use. To avoid burns, do not let bare skin touch hot surfaces. If provided, use handles when moving this heater.  
DANGER: High temperature may be generated under certain abnormal conditions. Do not partially or fully cover or obstruct the front of the heater.  
WARNING: In order to avoid overheating, do not cover the heater. It cannot be used in a closet.
3. CAUTION: The appliance should not be used by children or persons with reduced physical, sensory or mental capabilities.
4. Children should be advised not to play with the appliance.
5. Always unplug this appliance when not in use.
6. Do not operate any heater with a damaged cord or plug or after the appliance malfunctions, or if it has been dropped or damaged in any manner.
7. If the supply cord is damaged, it must be replaced by the manufacturer, it's service agent or similarly qualified persons in order to avoid a hazard.
8. Any repairs to this fireplace should be carried out by a qualified service person.
9. Under no circumstances should this fireplace be modified. Parts having to be removed for servicing must be replaced prior to operating this fireplace again.
10. Do not use outdoors.
11. This heater is not intended for use in bathrooms, laundry areas and similar indoor locations. Never locate this appliance where it may fall into a bathtub or other water container.
12. Do not run cord under carpeting. Do not cover cord with throw rugs, runners or the like. Arrange cord away from traffic areas and where it will not be tripped over.
13. To disconnect this appliance, turn controls to the off position, then remove plug from outlet.
14. Connect to properly grounded outlet only.
15. This appliance, when installed, must be electrically grounded in accordance with local codes or, in the absence of local codes, with the current CSA C22.1 Canadian Electrical Code or for USA installations, follow local codes and the National Electrical Code, ANSI/NFPA NO.70.
16. There is a protective thermostat limiter inside the heater. When the inner temperature over heat, the thermostat limiter will shut off the power supply to avoid the risk of fire damage to the appliance.
17. The heaters must not be located immediately below a socket-outlet.
18. Do not insert or allow foreign objects to enter any ventilation or exhaust opening as this may cause an electric shock or fire, or damage the appliance.
19. To prevent a possible fire, do not block air intakes or exhaust in any manner. Do not use on soft surfaces, like bed, where opening may become blocked.
20. This appliance has hot and arcing or sparking parts inside. Do not use where gasoline, paint, or flammable liquids are used or stored. This fireplace should not be used as a drying rack for clothing. Christmas stockings or decorations should not be hung in area of it.
21. Use this appliance only as described in the manual. Any other use not recommended by the manufacturer may cause fire, electric shock or injury to persons.
22. Always plug heaters directly into a wall outlet/receptacle. Never use with an extension cord or relocatable power tap (outlet/power strip).

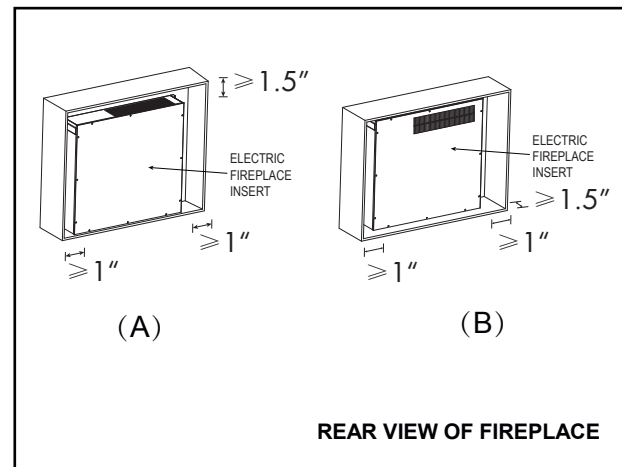
## SAVE THESE INSTRUCTIONS

# INSTALLATION INSTRUCTION

Position your completed mantel close to its final location. Make sure you can access the back of the mantel as your electric fireplace appliance will be installed from back.

Using a Phillips head screwdriver, remove the screws and the metal mounting center opening. Next unpack the electric fireplace appliance carefully. Position the appliance behind the fireplace with front facing the wood mantel. With the help of an adult assistant, lift the appliance and gently slide it into the opening in the mantel. Make sure the appliance is centered left and right in the opening. Be careful when placing appliance and adjusting, bottom of appliance could scratch the finish of the base/hearth of your fireplace. Re-attach the mounting brackets with the Phillips head screwdriver, and supplied screws.

**DO NOT OVER TIGHTEN.** With the help of an assistant, carefully lift completed unit and place it with the front facing out in the final location you have chosen for your fireplace. Make sure to secure the electrical cord before lifting or moving completed fireplace. When choosing a final location, make sure you will have clear access to grounded electrical outlet.



## GROUNDING INSTRUCTIONS:

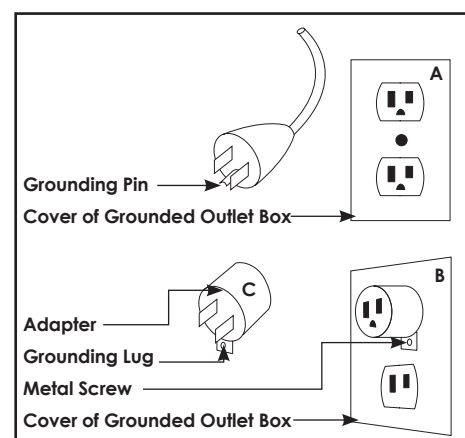
This heater is for use on 120 volts. The cord has a plug as shown at (A) in figure 2. An adapter as shown at (C) is available for connecting three-blade grounding-type plugs to two-slot receptacles. The green grounding lug extending from the adapter must be connected to a permanent ground such as a properly grounded outlet box. The adapter should not be used if a three-slot grounded receptacle is available.

**NOTE: Adapters are NOT for use in Canada**

## ELECTRICAL SPECIFICATIONS

Voltage: 120VAC 60Hz  
Watts: 1400 Watts

Figure 2





### COLD CLIMATE INSTALLATION RECOMMENDATION:

When installing this unit against a Non-insulated exterior wall or chase, it is mandatory that outer walls be insulated to conform to applicable insulation codes.

### ELECTRICAL CONNECTION

The unit comes standard with 6 feet (1.8M) three wire cord, exiting from the rear of the fireplace. Plan the installation to avoid the use of an extension cord.

### CLEANING TRIM

Clean the metal trim using a soft cloth, slightly dampened with citrus oil based product and buff with a clean soft cloth.

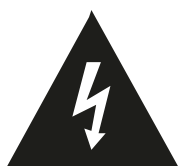
DO NOT use brass polish or household cleaners as these products will damage the metal trim. Citrus oil based products can be obtained at supermarkets or hardware stores.

### MAINTENANCE

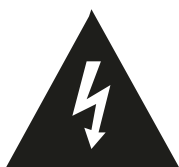
The motors used on the fan and the flame generator assembly are pre-lubricated for extended bearing life and require no further lubrication. However, periodic cleaning/vacuuming of the fan/ heater unit is recommended. Make sure the unit is turn OFF and unplugged whenever you are cleaning the heater of fireplace.



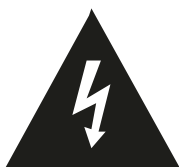
**WARNING** : Make sure the power is turned off before proceeding. Any electrical repairs or rewiring of this unit should be carried out by a licensed electrician in accordance with national and local codes. If repairing or replacing any electrical component or wiring, the original wire routing, color coding and securing locations must be followed.



**WARNING** : Electric outlet wiring must comply with local building codes and other applicable regulations to reduce risk of fire, electric shock and injury to persons.



**WARNING** : Do not use this fireplace if any part of it has been under water. Immediately call a qualified service technician to inspect the fireplace and replace any part of the electrical system.



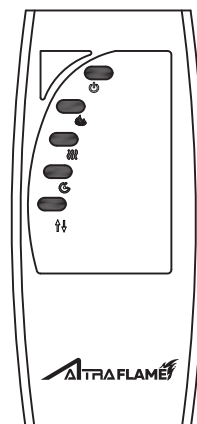
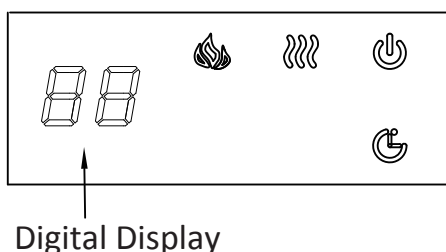
**WARNING** : Disconnect power before attempting any maintenance or cleaning to reduce the risk of fire, electrical shock or personal injury.



**WARNING** : During any service of this appliance, the power to the unit must be turned off, Always remember to remove the electrical plug from the wall outlet.

# OPERATING INSTRUCTION

On the top-right of the electric fireplace is the touchscreen control panel. This panel contains the buttons to properly operate the electric fireplace. the buttons on the remote control function in the same way. The remote control has an effective range of up to 6 m.



NOTE: The remote control is intended only for the functional operation of the product, It can not lock/unlock the heating function !

## POWER

The POWER button turns the appliance on or off. It has a memory function; the button turns off all functions at once but retains the settings in the memory. By pressing the button again, the unit will turn on at the same settings. If the TIMER has set & time has expired all functions will stop. Press the POWER button start the appliance.

## FLAME

The FLAME control switch manages the flame brightness. There are 4 brightness levels and an off position. Each time the FLAME button is pressed, the intensity of the flame decrease. When adjusting the FLAME button, a number indicating the brightness of flame will be visible on the digital display. After turning on digital display, if nothing happens within 10 seconds, digital display will turn off.

## HEATER

The HEATER button turns the heater on and off. When in ON position, press and hold the HEATER button 5 seconds and enter temperature adjustment mode (Note: This can't be set with the remote control). There are 11 temperature settings: 72 °F -74 °F -76 °F -78 °F -80 °F -82 °F -ON-64 °F ---72 °F (22 °C -23 °C -24 °C -25 °C -26 °C -27 °C -ON-18 °C ---22 °C) After the temperature is selected the digital display will flash 5 times and exit from setting status. After turning on the digital temperature display, if nothing happen within 10 seconds, the digital display will expire. Temperature unit convert function: With the heater is ON the position, press and hold the power icon for 5 seconds, current temperature unit display will flash 3 times and convert to another temperature unit (**Note: This can't be set with the remote control**).

Lock & unlock heater function: press and hold the heater icon for 10 seconds, the ember bed will flash 6 times, indicating that the heater function is locked. To unlock the heater function, just repress and hold the heater icon for 10 seconds again, then the ember bed will also flash 6 times indicating the heater function is unlocked and to recover the original states which you have set (**Note: This can't be set with the remote control**).

## TIMER

The TIMER has adjustable setting at range from 30 minutes to 6 hours and OFF. As shown the following: 30 minutes-1h-2h-3h-4h-5h-6h-OFF. If the digital display turns on and nothing happens within 10 seconds, the digital display will auto shut off. Once you have set the timer, and the timer is up, close all the functions and enter standby mode. In this mode, you should touch the power icon to restart the appliance.

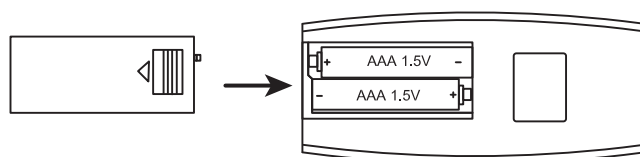
## INCREASE/DECREASE BUTTON

With the heater on, press the Increase/Decrease button to change the desired temperature. There are 11 temperature settings: 72 °F -74 °F -76 °F -78 °F -80 °F -82 °F -ON-64 °F ---72 °F (22 °C -23 °C -24 °C -25 °C -26 °C -27 °C -ON-18 °C ---22 °C).

## BATTERIES REPLACEMENT

### NOTE:

- Do not mix old and new batteries.
- Do not mix alkaine, standard (carbon zinc), or rechargeable (nicad, nimh, etc.) batteries.
- Do not ingest batteries.



### CAUTION:

- Always purchase the correct size and grade of battery most suitable for the intended use.
- Replace all batteries of a set at the same time.
- Clean the battery contacts and also those of the device prior to battery installation.
- Ensure the batteries are installed correctly with regard to polarity (+ and -).
- Remove batteries from equipment which is not to be used for an extended period of time.
- Remove used batteries promptly

## TROUBLESHOOTING

Fault code	Fault Cause	Solution
E1	The heater overheating	Call after-sales service.
E2	NTC is defective.	Call after-sales service.
E3	The heater not working.	If the vents are dirty or clogged. Unplug the power, clean the dust and debris of the vent area. Wait for 5 minutes, plug in and turn on the heater. If the heater still don't work, please call after-sales service.

# 1 YEAR LIMITED WARRANTY

## Electrical Fireplace Basic Warranty

Our electrical fireplace is free from manufacturing and material defects for a period of one year from date of purchase, subject to the following conditions and limitations.

1. This electric fireplace must be installed and operated at all times in accordance with the installation and operating instructions furnished with the product, Any unauthorized repair, alteration, willful abuse, accident, or misuse of the product shall nullify this warranty.
2. This warranty is non-transferable, and is made to the original owner, provided that the purchase was made through an authorized supplier of the company.
3. The warranty is limited to the repair or replacement of parts found to be defective in material or workmanship, provided that such part(s) have been subjected to normal conditions of use and service, after said defect is confirmed by the Company's inspection.
4. The Company may, at its discretion, fully discharge all obligation with respect to this warranty by refunding the wholesale price of the defective part(s).
5. Any installation, labor, construction, transportation, or other related costs/expenses arising from defective part(s), repair, replacement, or otherwise of same, will not be covered by this warranty, nor shall the Company assume responsibility for same.
6. The owner/user assumes all other risks, if any, including the risk of any direct, indirect or consequential loss or damage arising out of the use, or inability to use the product, except as provided by law.
7. All other warranties-expressed or implied-with respect to the product, its components and accessories, or any obligation/liabilities on the part of the Company are hereby expressly included.
8. The Company neither assumes, nor authorizes any third party to assume, on its behalf, any other liabilities with respect to the sale of our product.
9. The warranties as outlined within this document do not apply to 3rd party accessories used in conjunction with the installation of this product.

This warranty is void if :

- a. The fireplace is subjected to prolonged periods of dampness or condensation.
- b. Any unauthorized alteration, willful abuse, accident, or misuse of the product.
- c. You do not have the original receipt of purchase.

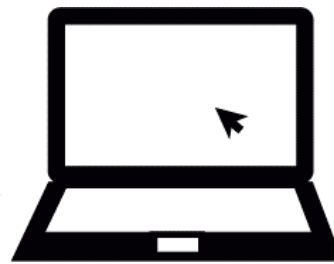
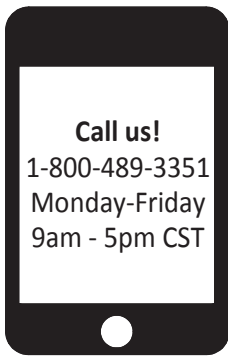
## IF WARRANTY SERVICE IS NEEDED

**Contact Us!**

**Do NOT return this product!**

Contact our friendly customer service team first for help.  
Make sure you have sales receipt, location of purchase  
and the model/serial number of your product.





Visit [ameriwoodhome.com](http://ameriwoodhome.com)

Assembly Tips



## Register your product to receive the following:



- \* New trend details - sneak peek on what's new
- \* Surveys - have a voice within our community
- \* Exclusive deals and discount codes
- \* Quick and easy replacement part service

To register your product, visit [ameriwoodhome.com](http://ameriwoodhome.com)

## 5 Star Rating



Visit your local retailer's website, rate your purchased product and leave us some feedback!

We would like to extend a big "Thank You" to all of our customers for taking the time to assemble this Ameriwood Home product, and to give us your valuable feedback.

*Thank You!*

Made in China  
Printed in China

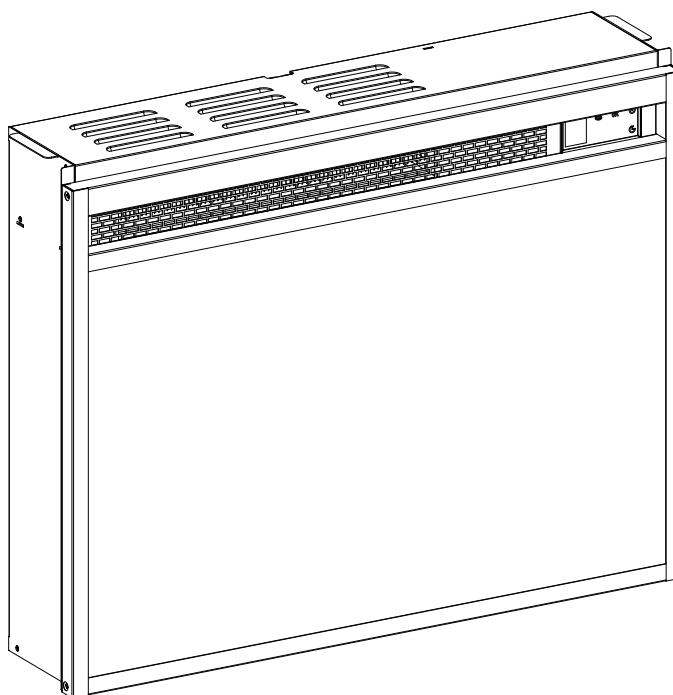
# 7250096COM

## Encart Foyer Électrique



Date d'achat \_\_\_\_ / \_\_\_\_ / \_\_\_\_  
Numéro de lot \_\_\_\_\_

B347250096COM00TD



### RV23P80L

**INFORMATION SUR LA SÉCURITÉ DES CONSOMMATEURS: S'IL VOUS PLAÎT LIRE CE MANUEL AVANT D'INSTALLER ET D'UTILISER CET APPAREIL. LE NON-RESPECT DE CES INSTRUCTIONS PEUT ENTRAÎNER LA POSSIBILITÉ DE CHOC ÉLECTRIQUE, UN RISQUE D'INCENDIE, ET/OU DES BLESSURES ET ANNULERA LA GARANTIE.**

**AVERTISSEMENT: SI LES INFORMATIONS DANS CE MANUEL NE SONT PAS RESPECTÉES, UN CHOC ÉLECTRIQUE OU UN INCENDIE PEUT ENTRAÎNER DES DÉGÂTS MATÉRIELS, DES BLESSURES OU DES PERTES DE VIE.**

**CE LIVRET D'INSTRUCTION CONTIENT DES INFORMATIONS IMPORTANTES SUR LA SÉCURITÉ. VEUILLEZ LIRE ET GARDER POUR UNE RÉFÉRENCE FUTURE**

#### Ne retournez pas ce produit!

Contactez notre équipe de service à la clientèle amicale d'abord pour obtenir de l'aide.

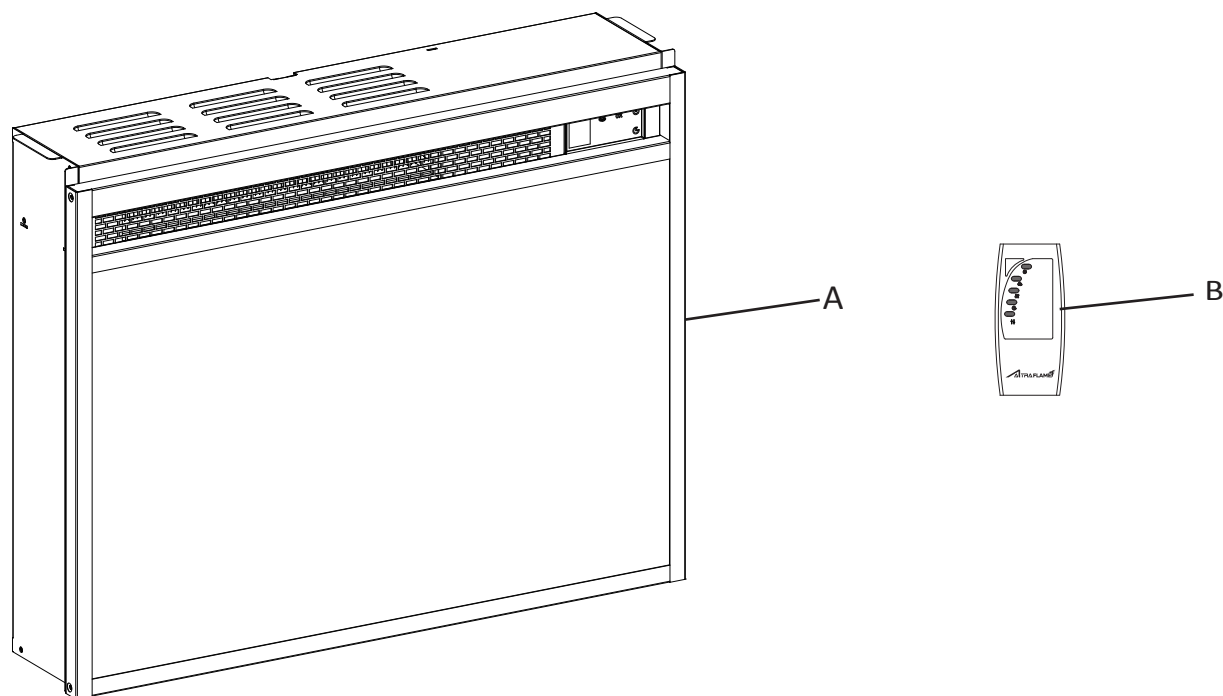
**Appelez-nous:** 1-800-489-3351 (sans frais)  
du Lundi au Vendredi de 9h à 17h Heure Centrale

**Visitez:** [www.ameriwoodhome.com](http://www.ameriwoodhome.com)

Suivez Ameriwood Home



# CONTENU DE DE LA BOÎTE



Pièce	Parte Number	Description	Quantité
A	7250096COM010	Foyer	1
B	7250096COM020	Télécommande	1

# INSTRUCTIONS IMPORTANTES

Lorsque vous utilisez des appareils électriques, des précautions de base doivent être observées afin de réduire les risques d'incendie, de choc électrique, et/ou de blessures incluant ce qui suit:

1. Lire toutes les instructions avant d'utiliser cet appareil de chauffage.
2. Cet appareil de chauffage est chaud lorsqu'il est utilisé. Pour éviter les brûlures, ne pas toucher aux surfaces chaudes de l'appareil à mains nues. Au besoin, utiliser les poignées pour déplacer l'appareil.

**DANGER:** Une température élevée peut être générée sous certaines conditions anormales. Ne pas couvrir ou obstruer partiellement ou complètement le devant de la chaufferette.

**AVERTISSEMENT:** Afin d'éviter la surchauffe, ne pas couvrir la chaufferette. Elle ne peut pas être utilisée dans un placard.

3. **ATTENTION:** L'appareil ne doit pas être utilisé par des enfants ou des personnes dont les capacités physiques, sensorielles ou mentales sont réduites.

4. Les enfants devraient être avisés de ne pas jouer avec ce foyer.

5. Débrancher toujours l'appareil lorsqu'il n'est pas utilisé.

6. Ne pas utiliser aucune chaufferette avec un cordon ou une fiche endommagée ou après un dysfonctionnement de l'appareil, ou si l'appareil a été échappé ou endommagé de quelque façon.

7. Si le cordon d'alimentation est endommagé, il doit être remplacé par le fabricant, un agent de service ou des techniciens qualifiés afin d'éviter tout danger.

8. Toute réparation de cet appareil doit être effectuée par un personnel d'entretien qualifié et autorisé seulement.

9. En aucun cas ce foyer doit être modifié. Les pièces devant être retirées pour l'entretien, doivent être remplacées avant d'utiliser ce foyer à nouveau.

10. Ne pas utiliser à l'extérieur.

11. Cet appareil de chauffage n'a pas été conçu pour être utilisé dans une salle de bain, une salle de lavage ni pour tout autre endroit similaire à l'intérieur. Ne jamais placer cet appareil où il pourrait tomber dans la baignoire ou un contenant rempli d'eau.

12. Ne pas acheminer le cordon sous un tapis. Ne pas couvrir le cordon d'une moquette ou d'un tapis, ou de tout autre matériau similaire. Disposer le cordon à bonne distance des zones de passage, à un endroit où il ne risque pas d'être un obstacle.

13. Pour débrancher l'appareil, tourner la commande en position d'arrêt (OFF), puis débrancher la fiche de la prise murale.

14. Branchez dans des prises correctement mises à la terre seulement.

15. Lors de l'installation, veillez à ce que le foyer soit mis à la terre conformément aux codes locaux, à la plus récente version du Code canadien de l'électricité, CSA C22.1 ou, dans le cas des installations aux É.-U., aux codes locaux et au code national de l'électricité, ANSI/NFPA N°70.

16. Il y a un thermostat à l'intérieur du foyer. Quand la température interne est trop élevée ou qu'un chauffage anormal se produit, le dispositif protecteur à thermostat coupera l'alimentation pour éviter des dommages au foyer ou un risque d'incendie.

17. Les chaufferettes ne doivent pas être situées immédiatement au-dessous d'une prise de courant.

18. N'insérez jamais un objet, quel qu'il soit, dans les ouvertures de ventilation ou de sortie d'air du foyer afin de prévenir les dommages ainsi que les risques de choc électrique et d'incendie.

19. Afin de prévenir les risques d'incendie, ne bloquez jamais les prises d'entrée ou de sortie d'air de quelque façon que ce soit. Ne placez pas l'appareil sur une surface molle comme un lit, car les ouvertures pourraient se bloquer.

20. Ce foyer renferme des pièces chaudes et qui produisent des arcs électriques ou des étincelles. N'utilisez pas le foyer là où de l'essence, de la peinture ou des liquides inflammables sont

utilisés ou entreposés. Ce foyer et ses environs ne doivent pas servir de support de séchage pour les vêtements ni à accrocher des bas de Noël ou des décorations.

21. Utilisez cet appareil comme décrit dans ce manuel seulement. Toute autre utilisation non recommandée par le fabricant pourrait causer un incendie, une décharge électrique ou une blessure.

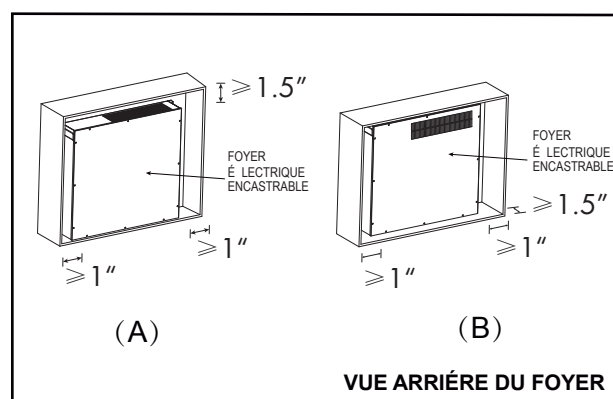
22. Toujours chauffe brancher directement dans une prise de courant / de la prise murale. Ne jamais utiliser avec une rallonge ou du robinet d'alimentation relocatable (bande de sortie / puissance).

## CONSERVEZ CES INSTRUCTIONS

### INSTRUCTION D'INSTALLATION

Placez votre manteau de cheminée terminé près de son emplacement définitif. Assurez-vous que vous pouvez avoir accès derrière le manteau car votre foyer électrique sera installé de l'arrière.

Avec un tournevis à tête cruciforme, enlevez les vis et le montage métallique au centre de l'ouverture. Ensuite, déballez soigneusement l'appareil du foyer électrique. Placez l'appareil derrière le foyer avec la façade orientée vers le manteau en bois. Avec l'aide d'un adulte, soulevez l'appareil et glissez-le doucement dans l'ouverture dans le manteau. Assurez-vous que l'appareil est centré gauche et droit dans l'ouverture. Faites attention lorsque vous placez et ajustez l'appareil, le dessous de l'appareil pourrait égratigner la finition de la base/coeur de votre foyer. Fixez de nouveau les supports de montage avec le tournevis à tête cruciforme, et les vis fournies.



**NE PAS SERRER EXCESSIVEMENT.** Avec l'aide d'un assistant, soulevez délicatement l'unité achevée et placez-le avec la façade orientée vers l'extérieur de son emplacement définitif que vous avez choisi pour votre foyer. Assurez-vous de sécuriser le cordon d'alimentation avant de soulever ou de déplacer le foyer achevé. En choisissant l'emplacement définitif, assurez-vous d'avoir accès à une prise électrique avec mise à la terre.

#### INSTRUCTIONS DE MISE À LA TERRE:

Cet appareil fonctionne sous une tension de 120 volts. Le cordon d'alimentation a été branché comme le montre la figure 1A du diagramme. Un adaptateur, comme le montre la figure 2C, peut être utilisé pour raccorder une fiche à trois broches (mise à la terre) à une prise à deux fentes. La fiche de mise à la terre verte de l'adaptateur doit être raccordée à une mise à la terre permanente (prise de courant mise à la terre). L'adaptateur ne doit pas être utilisé si une prise à trois fentes mise à la terre est disponible.

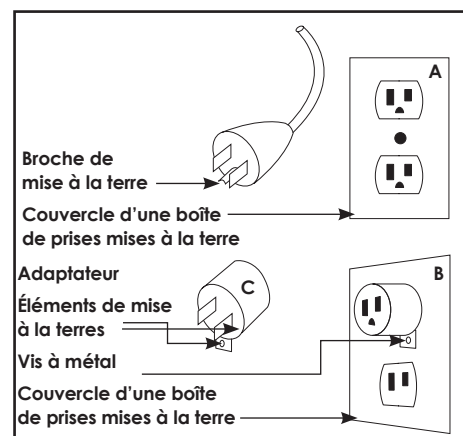
**Notez: Utilisation d'un adaptateur est interdit au Canada)**

#### SPÉCIFICATIONS ÉLECTRIQUES

Voltage: 120VAC 60Hz

Watts: 1400 Watts

Figure 2





### RECOMMANDATION POUR INSTALLATION PAR TEMPS FROID:

Lorsque vous installez cet unité contre un mur ou enchâssure non isolée, il est obligatoire que les murs extérieurs soient isolés conformément aux codes d'isolation en vigueur.

### RACCORD ÉLECTRIQUE

L'unité vient avec un cordon électrique à trois broches standard de 6 pieds (1.8M), sortant à l'arrière du foyer. Planifiez l'installation afin d'éviter l'utilisation d'une rallonge.

### ENTRETIEN DE LA GARNITURE

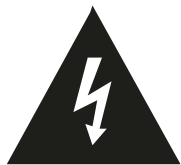
Nettoyez la garniture en métal avec un chiffon doux, imbibé légèrement d'un produit à base d'huile de citron et frottez avec un chiffon doux propre. NE PAS utiliser de poli pour laiton ou de nettoyeurs ménagers car ces produits endommageront la garniture en métal. Les produits à base d'huile de citron peuvent être trouvés dans les supermarchés ou les quincailleries.

### ENTRETIEN

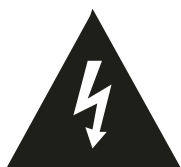
Les moteurs utilisés pour la soufflerie et la génératrice de flamme sont pré-lubrifiés pour la durée de vie prolongée des roulements et ne nécessitent aucune lubrification supplémentaire. Cependant, le nettoyage/aspirateur de l'unité de soufflerie/chaufferette est recommandé. Assurez-vous que l'unité est éteint (OFF) et débranché chaque fois que vous nettoyez la chaufferette du foyer.



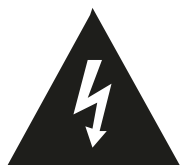
**AVERTISSEMENT:** Assurez-vous que l'alimentation est coupée avant de procéder. Toutes réparations électriques ou câblage de cet unité doivent être effectuées par un électricien agréé conformément aux codes nationaux et locaux. Pour réparer ou remplacer un composant électrique ou le câblage, l'acheminement original du câble, le code de couleur et les emplacements sécurisés doivent être suivis.



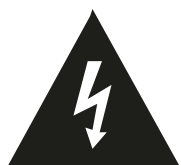
**AVERTISSEMENT:** Le câblage électrique de sortie doit être conforme avec les codes de bâtiment locaux et autres réglementations en vigueur afin de réduire les risques d'incendie, de chocs électriques et de blessures corporelles.



**AVERTISSEMENT:** Ne pas utiliser ce foyer si une partie quelconque du foyer a été sous l'eau. Appelez immédiatement un technicien qualifié pour inspecter le foyer et remplacer toute pièce du système électrique.



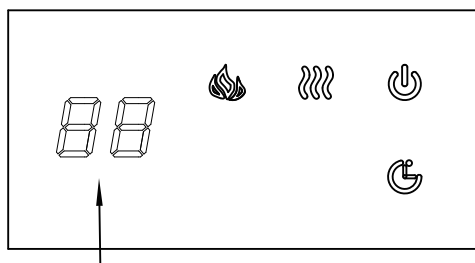
**AVERTISSEMENT:** Coupez l'alimentation avant d'entreprendre tout entretien ou nettoyage afin de réduire le risque d'incendie, de choc électrique ou de blessures corporelles.



**AVERTISSEMENT:** Pendant le service de cet appareil, l'alimentation de l'appareil doit être hors tension. Rappelez-vous toujours de débrancher la fiche électrique de la prise murale.

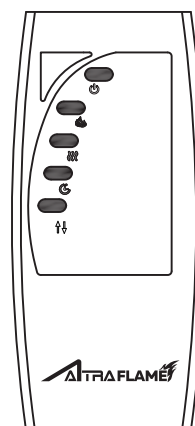
## MODE D'EMPLOI

Dans le coin supérieur droit du boîtier du foyer se trouve le panneau de commande tactile, dont les boutons servent à contrôler le foyer électrique. Les boutons de la télécommande ont la même fonction que ceux du panneau. La télécommande a une portée maximale de 6 m (19,7 pi).



Écran numérique

N.B. : La télécommande est conçue pour contrôler les fonctions du foyer, et non pour verrouiller ou déverrouiller la fonction de chauffage.



### MISE EN MARCHÉ

La touche de MISE EN MARCHÉ allume et éteint l'appareil. Il a une fonction de mémoire; la touche désactive toutes les fonctions sur le champ mais conserve les réglages en mémoire. En appuyant de nouveau sur la touche, l'appareil se met en marche avec les mêmes réglages. Si la MINUTERIE était réglée et que le temps a expiré, toutes les fonctions s'arrêteront. Appuyez sur la touche de MISE EN MARCHÉ pour allumer l'appareil.

### FLAMME

L'interrupteur de commande de la FLAMME contrôle l'intensité de la flamme. Il y a 4 niveaux d'intensité et une position ARRÊT. Chaque fois que la touche FLAMME est pressée, l'intensité de la flamme diminue. Lorsque vous ajustez la touche de la FLAMME, un numéro indiquant l'intensité de la flamme sera visible sur l'écran numérique. Après avoir allumé l'écran numérique, s'il n'y a aucune activité pendant 10 secondes, l'écran numérique s'éteindra.

### CHAUFFERETTE

La touche CHAUFFERETTE allume et éteint la chaufferette.

En position MARCHÉ, appuyez et maintenez la touche CHAUFFERETTE pendant 5 secondes et entrez le mode réglage de température (**Remarque: cela ne peut pas être réglé en utilisant la télécommande**). Il y a 11 réglages de température: 72 °F -74 °F -76 °F -78 °F -80 °F -82 °F -ON-64 °F ---72 °F (22 °C -23 °C -24 °C -25 °C -26 °C -27 °C -ON-18 °C ---22 °C). Après avoir choisi la température, l'écran numérique clignotera 5 fois et sortira de son mode de réglage. Après avoir allumé l'écran numérique de température, s'il n'y a aucune activité pendant 10 secondes, l'écran numérique s'éteindra.

Fonction de conversion d'unité de température: Avec la chaufferette en position MARCHÉ, appuyez et maintenez l'icône d'alimentation pendant 5 secondes, l'affichage de l'unité de température actuelle clignotera 3 fois et changera pour une autre unité de température (**Remarque: cela ne peut pas être réglé en utilisant la télécommande**).

Fonction de chaufferette verrouillée & déverrouillée: Appuyez et maintenez l'icône Chaufferette pendant 10 secondes, le lit de braises clignotera 6 fois, indiquant que la fonction de chaufferette est verrouillée. Pour déverrouiller la fonction de chaufferette, simplement appuyez de nouveau et maintenir l'icône de chaufferette pendant 10 secondes encore, puis le lit de braises clignotera 6 fois indiquant que la fonction de chaufferette est déverrouillée et reviendra aux réglages initiaux que vous aviez définis (**Remarque: cela ne peut pas être réglé en utilisant la télécommande**).

## MINUTERIE

La MINUTERIE a des paramètres ajustables par intervalles de 30 minutes jusqu'à 6 heures et ARRÊT. Comme le montre ce qui suit: 30 minutes-1h-2h-3h-4h-5h-6h-ARRÊT. Si l'écran numérique s'allume et qu'aucune activité n'est détectée après 10 secondes, fermera toutes les fonctions et entrera en mode veille. Dans ce mode, vous devez toucher l'icône d'alimentation pour redémarrer l'appareil.

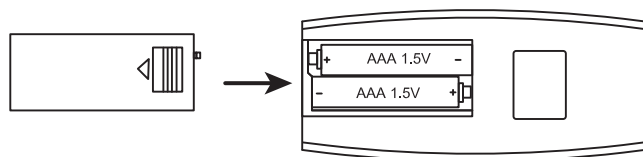
## BOUTON AUGMENTATION/DIMINUTION

Avec le chauffage en marche, appuyez sur le bouton Augmentation/Diminution pour modifier la température à celle désirée. Il y a 11 réglages de température: 72 °F -74 °F -76 °F -78 °F -80 °F -82 °F -ON-64 °F ---72 °F (22 °C -23 °C -24 °C -25 °C -26 °C -27 °C -MARCHE-18 °C ---22 °C).

# REEMPLACEMENT DES PILES

### NOTES:

- Ne pas combiner des piles neuves et usées.
- Ne pas combiner des piles de types différents (alcalines, standard [carbone/zinc] et rechargeables [nickel-cadmium, NiMH, etc.]).
- Ne pas avaler les piles.



### CAUTION:

- Toujours acheter des piles dont la taille et le type conviennent à l'utilisation prévue.
- Remplacer toutes les piles de l'ensemble au même moment.
- Nettoyer les bornes des piles et les points de contact dans le compartiment avant d'y insérer les piles.
- Installer les piles en respectant la polarité (+ et -).
- Retirer les piles de la télécommande si elle n'est pas utilisée pendant une longue période.
- Retirer les piles usées sans tarder.

# DÉPANNAGE

Code d'erreur	Cause d'erreur	Solution
E1	Surchauffe de l'élément chauffant	Appelez le service après-vente
E2	CNT est défectueux	Appelez le service après-vente
E3	L'élément chauffant ne fonctionne pas	Si les événements sont sales ou obstrués, débranchez l'alimentation, nettoyez la poussière et les débris de la zone de ventilation. Attendez 5 minutes, branchez et allumez l'élément chauffant. Si l'élément chauffant ne fonctionne toujours pas, appelez le service après-vente.



# GARANTIE LIMITÉE D'UN (1) AN

## FOYER ÉLECTRIQUE GARANTIE DE BASE

Notre foyer électrique est exempt de défauts de matériaux et de fabrication pour une période d'un an à compter de la date d'achat, sous réserve des conditions et limitations suivantes.

1. Ce foyer électrique doit être installé et fonctionner en tout temps conformément aux instructions fournies avec le produit. Toute altération, abus volontaire, accident ou mauvais usage du produit annulera cette garantie.
2. Cette garantie n'est pas transférable et est faite au propriétaire d'origine, à condition que l'achat a été effectué par l'intermédiaire d'un fournisseur agréé du fabricant.
3. Cette garantie est limitée à la réparation ou au remplacement de la pièce qui comporte un défaut de matériel ou de fabrication, à condition que cette pièce ait été soumise à des conditions normales d'utilisation et de service, après que ledit défaut soit confirmé par l'inspection du fabricant.
4. Le fabricant peut, à sa discrétion, assumer pleinement toutes ses obligations à l'égard de cette garantie en remboursant le prix de gros de la pièce défectueuse.
5. Toute installation, travail, construction, transport ou autres frais connexes/dépenses découlant de pièce(s) défectueuse(s), réparation, remplacement, ou sinon de même, ne sont pas couverts par cette garantie, ni que le fabricant assume la responsabilité de même.
6. Le propriétaire/utilisateur assume tous les autres risques, le cas échéant, incluant les risque de toute perte directe ou indirecte ou dommage résultant de l'utilisation, ou de l'impossibilité d'utiliser le produit, sauf tel que prévu par la loi.
7. Toutes les autres garanties - expresses ou implicites - en ce qui a trait au produit, ses composants et accessoires, ou toutes les obligations ou responsabilités de la part du fabricant sont expressément exclues.
8. La Compagnie n'assume, ni autorise un tiers à assumer, en son nom, toutes autres responsabilités à l'égard de la vente de notre produit.
9. Les garanties décrites dans ce document ne s'appliquent pas aux accessoires d'un tiers utilisés en conjonction avec l'installation de ce produit.

Cette garantie est nulle si:

- a. Le foyer est soumis à de longues périodes d'humidité ou de condensation.
- b. toute modification non autorisée, abus volontaire, accident ou mauvais usage du produit.
- c. Vous n'avez pas le reçu d'achat original.

## SI UN SERVICE SOUS GARANTIE EST REQUIS

**Contactez-nous!**

**Ne retournez pas ce produit!**

Contactez d'abord notre équipe du Service à la clientèle pour de l'aide.

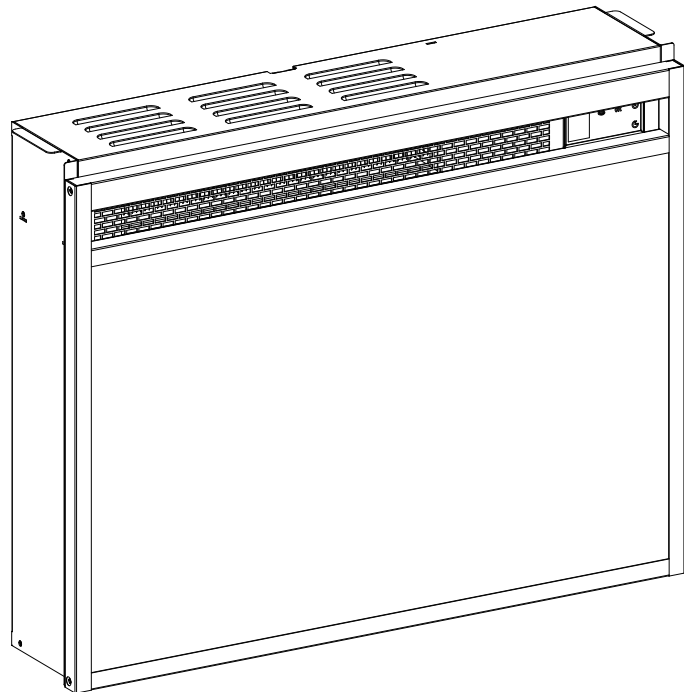
Assurez-vous d'avoir le reçu de vente, le lieu d'achat et le numéro de modèle/série de votre produit.

# 7250096COM Chimenea Eléctrica



B347250096COM00TD

Fecha de Compra \_\_\_\_ / \_\_\_\_ / \_\_\_\_  
Número de Lote \_\_\_\_\_



**RV23P80L**

**INFORMACIÓN DE SEGURIDAD AL CONSUMIDOR: POR FAVOR LEA ESTE MANUAL ANTES DE INSTALAR Y OPERAR ESTE APARATO. LA INOBSERVANCIA DE LAS INSTRUCCIONES PODRÍA RESULTAR EN DESCARGA ELÉCTRICA, INCENDIO, O LESIONES Y ANULARÁ LA GARANTÍA.**

**ADVERTENCIA: SI NO SIGUE LA INFORMACIÓN EN EL MANUAL, UNA DESCARGA ELÉCTRICA O UN INCENDIO PUEDE RESULTAR EN DAÑO DEL PRODUCTO, LESIONES PERSONALES O MUERTE.**

**ESTE LIBRO DE INSTRUCCIONES CONTIENE INFORMACIÓN IMPORTANTE DE SEGURIDAD. POR FAVOR LEA Y MANTÉNGALO PARA REFERENCIA EN EL FUTURO.**

## **No Regrese este producto!**

Comuníquese con nuestro amigable equipo de servicio al cliente para obtener ayuda.

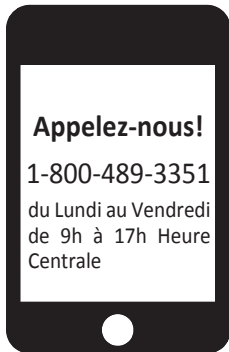
**Llámenos al:** 1-800-489-3351 (Gratis)

Lunes - Viernes 9am - 5pm CST

**Visitar:** [www.ameriwoodhome.com](http://www.ameriwoodhome.com)

Siga a Ameriwood Home





Conseils d'assemblage



## Enregistrez votre produit pour recevoir ce qui suit:



- \* Détails sur les nouvelles tendances – un aperçu des nouveautés
- \* Sondage – discussion dans notre communauté
- \* Offres exclusives et codes de réduction
- \* Service de pièce de rechange rapide et facile

Pour enregistrer votre produit, visitez ameriwood-home.com

## 5 Étoiles



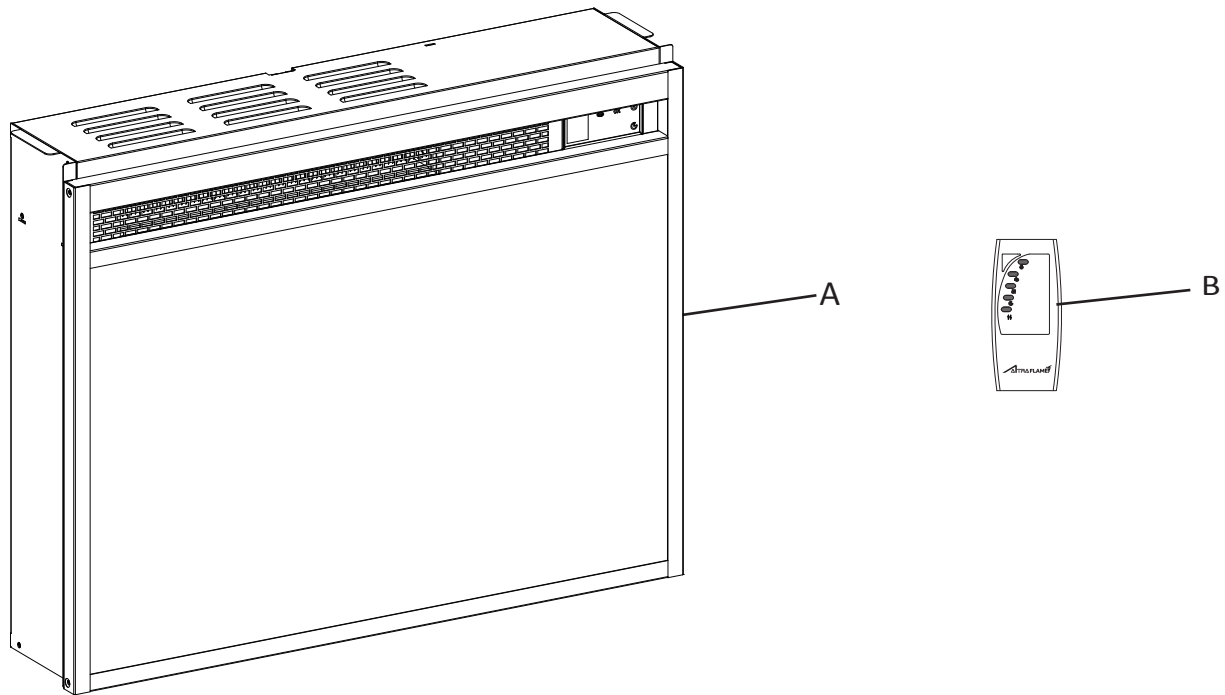
Visitez le site Web de votre détaillant local, évaluez votre produit acheté et laissez-nous vos commentaires!

Nous tenons à remercier tous nos clients pour avoir pris le temps d'assembler ce produit Ameriwood Home et nous faire part de vos précieux commentaires.

*Thank You!*

Fabriqué en Chine  
Imprimé en Chine

# CONTENIDO DEL PAQUETE



Parte	Parte Number	Descripción	Quantity
A	7250096COM010	Calefactor	1
B	7250096COM020	Control remote	1

## INSTRUCCIONES IMPORTANTES

Cuando se usen aparatos eléctricos, siempre deberán observarse las precauciones básicas para reducir el riesgo de incendio, descarga eléctrica o lesiones, incluyendo los siguientes:

1. Lea todas las instrucciones antes de usar este calefactor.
  2. Este calentador está caliente cuando se encuentra en uso. Para evitar quemaduras, no permita que la piel al descubierto toque las superficies calientes. Si se proporcionan, utilice manijas para mover este electrodoméstico.
- PELIGRO: Las altas temperaturas se pueden generar bajo ciertas condiciones anormales. No cubra ni obstruya el frente del calefactor.
- ADVERTENCIA: Para evitar sobrecalentamiento, no cubra el calefactor. El calefactor no puede utilizarse en un armario.
3. PRECAUCIÓN: El aparato no debe utilizarse por niños o personas débiles con capacidades físicas, sensoriales o mentales reducidas.
  4. Advierta a los niños de que no jueguen con este calefactor.
  5. Siempre desenchufe este electrodoméstico cuando no se encuentre en Uso.
  6. No opere ningún calefactor con un cable o enchufe dañado, después de que el aparato haya fallado o si se cae al suelo o se daña de cualquier manera.
  7. Si el cable está dañado, se debe reemplazarse por el fabricante, agente de servicio o personas calificadas con el fin de evitar situaciones de peligro.
  8. Sólo el servicio técnico autorizado y capacitado deberá reparar este Electrodoméstico.
  9. Bajo ninguna circunstancia debería modificarse esta chimenea. Piezas que necesitan quitarse deben ser reemplazadas antes de operar esta chimenea otra vez.
  10. No se utilice al aire libre.
  11. Este electrodoméstico no está diseñado para su uso en baños, lavaderos u otros lugares similares. Nunca coloque este electrodoméstico en donde pueda caer a una bañera u otro recipiente con agua.
  12. No pase el cable de alimentación por debajo de alfombrado. No cubra el cable de alimentación con artículos tales como tapetes o alfombras de pasillo, entre otros. Mantenga el cable de alimentación lejos de áreas de circulación para asegurarse de que no estorbe.
  13. Para desconectar el calefactor, ponga los controles en OFF y luego quite el enchufe de la toma de corriente.
  14. Conecte sólo a tomas de corriente correctamente conectadas a tierra.
  15. Este electrodoméstico, una vez instalado, debe de estar conectado a tierra conforme a los códigos locales, bajo los códigos actuales CSA C22.1 de Electricidad Canadiense, o, para instalaciones en E.U.A. siga los códigos locales y el Código Eléctrico Nacional, ANSI/NFPA no. 70.
  16. Hay un termostato limitador dentro del calefactor. Cuando la temperatura interior se sobrecalienta o en el caso de un calentamiento anormal, el dispositivo protector del termostato cortará la alimentación para evitar el daño al calefactor y el riesgo de incendio.
  17. Los calefactores no deben estar colocados inmediatamente bajo un enchufe.
  18. No introduzca ni permita que objetos extraños entren en las aberturas de ventilación o de escape, ya que esto puede causar una descarga eléctrica o un incendio, o daños a la chimenea.
  19. Para evitar un posible incendio, no bloquee las entradas de aire de la chimenea o del escape de ninguna manera. No opere la chimenea sobre superficies blandas, como lo es una cama, en donde las aberturas puedan ser bloqueadas.
  20. Este electrodoméstico contiene partes calientes y arqueadas o chispeantes en su interior. No se utilice en áreas en donde se use o almacene gasolina, pintura o líquidos inflamables. Este electrodoméstico no debe ser utilizado como tendedero para la ropa, ni tampoco debe haber medias de Navidad o decoraciones colgadas sobre o cerca de él.

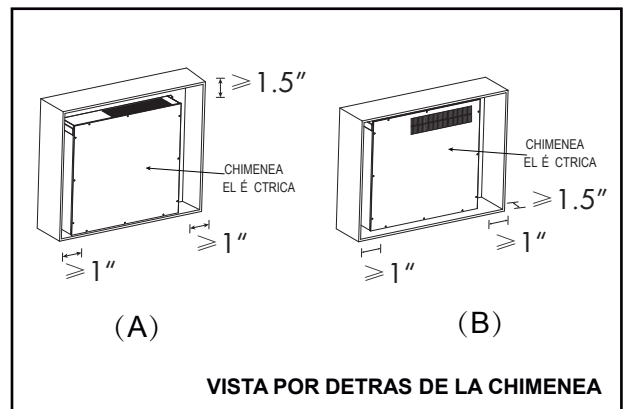
21. Utilice este aparato sólo tal y como se describe en este manual. Cualquier otro uso no recomendado por el fabricante podría resultar en un incendio, una descarga eléctrica o daños personales.
22. Siempre conecte los calentadores directamente a una toma de corriente/receptáculo. Nunca se utilice con un cable de extensión o con una fuente de alimentación móvil (toma de corriente/regleta).

## GUARDE BIEN ESTAS INSTRUCCIONES

### INSTRUCCIONES DE INSTALACIÓN

Coloque la repisa cerca de su ubicación final. Asegúrese de que se puede acceder a la parte posterior de la repisa como su chimenea eléctrica se instalará desde atrás.

Usando un destornillador Phillips, retire los tornillos y el metal que soporta la apertura central. Siguiendo desembale el chimenea eléctrica cuidadosamente. Coloque el aparato detrás de la chimenea con el frente hacia la repisa de madera. Con la ayuda de un adulto, levante el aparato y deslícelo gradualmente en la apertura de la repisa. Asegúrese de que el aparato se centra en la apertura. Tenga cuidado al colocar y ajustar el aparato, la parte inferior del aparato podría rayar el acabado de la base/estufa de su chimenea. Vuelva a adjuntar los soportes de montaje con el destornillador Phillips y tornillos suministrados.



**No apriete demasiado.** Con la ayuda de un asistente, levante cuidadosamente la unidad y colóquela con el frente hacia el exterior en la ubicación deseada. Asegúrese de conseguir el cable eléctrico antes de levantar o mover la chimenea. Al elegir una ubicación final, asegúrese de que la unidad tendrá acceso a un enchufe eléctrico conectado a tierra.

### INSTRUCCIONES SOBRE LE CONEXIÓN A TIERRA

Este calentador se debe usar con 120 voltios. El cable tiene un enchufe como se muestra en la imagen 1A en el diagrama. Hay un adaptador disponible como el que se muestra en 2C para conectar enchufes de tres patas con conexión a tierra en tomas de corriente con dos ranuras. La lengüeta de puesta a tierra de color verde que se desprende del adaptador debe estar conectada a una conexión a tierra permanente, como por ejemplo, una caja de toma de corriente que tenga una conexión a tierra adecuada. No deberá usar este Adaptador cuando haya un toma que permita conectar enchufes con tres patas.

**Nota: utilice el adaptador de conexión a tierra prohibida en Canadá**

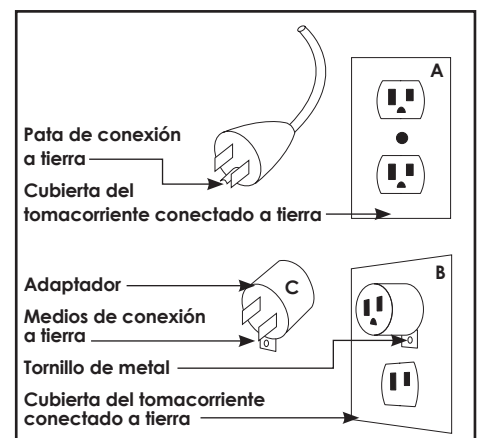
### ESPECIFICACIONES ELÉCTRICAS

Voltaje: 120VAC 60Hz

Vatios: 1400 Watts

ameriwoodhome.com

Figura 2





### Recomendación de instalación en clima frío:

al instalar esta unidad contra una pared o roza exterior sin aislamiento, es obligatorio que las paredes exteriores deben ser aisladas de acuerdo a los códigos aplicables de aislamiento.

### CONEXIÓN ELÉCTRICA

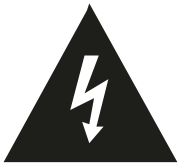
La unidad viene standard con un cable de 6 pies (1.8m) de tres conductores, saliendo desde la parte trasero de la chimenea. Arregle la instalación para evitar el uso de un cable de extensión.

### LIMPIEZA DE LAS MOLDURAS

Limpie las molduras metálicas utilizando un paño suave, ligeramente humedecido con producto basado en aceite de cítrica y pulimente con un paño limpio y suave. No utilice pulidor de latón o limpiadores domésticos como estos productos pueden dañar las molduras metálicas. Productos basados en aceite de cítrica se pueden obtener en los supermercados o tiendas de hardware.

### MANTENIMIENTO

Los motores utilizados en el ventilador y generador de la llama son pre-lubricados para una vida extendido sin lubricación adicional. Sin embargo, la periódica limpieza/aspirado del ventilador/calefactor es recomendado. Asegúrese de que la unidad está apagada y desconectada antes de limpiarla.



**ADVERTENCIA:** Asegúrese de que la energía está apagada antes de proceder. Cualquier reparación eléctrica o recableado de esta unidad debe ser realizado por un electricista con licencia en conformidad con códigos nacionales y locales. Durante la reparación, el reemplazo de componentes eléctricos, o el cableado, el enrutamiento original de cable, codificación de colores y lugares de fijación deben ser seguidos.



**ADVERTENCIA:** El cableado de enchufes eléctricos debe cumplir con los códigos locales de construcción y otros reglamentos aplicables para reducir el riesgo de incendio, descarga eléctrica y lesiones a las personas.



**ADVERTENCIA:** No use esta chimenea si cualquier parte de ella ha sido bajo el agua. Llame inmediatamente a un técnico cualificado de servicio para inspeccionar la chimenea y reemplazar cualquier parte del sistema eléctrico.



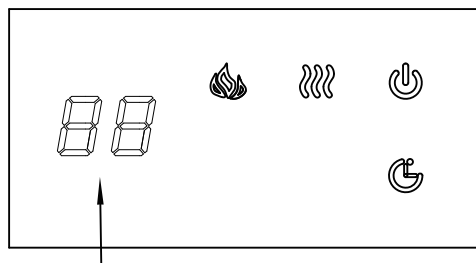
**ADVERTENCIA:** Desconecte la chimenea antes de intentar cualquier mantenimiento o limpieza para reducir el riesgo de incendio, descarga eléctrica o lesiones personales.



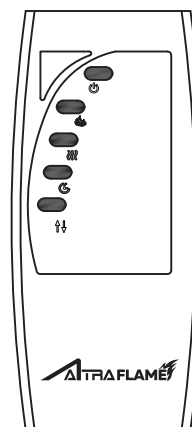
**ADVERTENCIA:** Durante cualquier servicio de este aparato, asegúrese de que la unidad esté apagada, recuerde siempre desconectar la toma de pared.

# INSTRUCCIONES DE OPERACIÓN

En la parte superior derecha de la caja de fuego eléctrico hay un panel de control de pantalla táctil. Este panel contiene los botones para operar adecuadamente la chimenea eléctrica. Los botones del panel de control y la función de control remoto de la misma manera. El mando a distancia tiene un alcance efectivo de hasta 6 metros.



Pantalla Digital



NOTA: El control remoto está diseñado únicamente para la operación funcional del producto, no se puede bloquear / desbloquear la función de calentamiento.

## POWER

El botón de POWER enciende o apaga el aparato. Tiene una función de memoria; el botón apaga todas las funciones a la vez, pero conserva la configuración en la memoria. Pulsando el botón de nuevo, la unidad se enciende en la misma configuración. Una vez que el TEMPORIZADOR se ha seleccionado y el tiempo se ha acabado, todas las funciones se cerrarán. Pulse el botón de POWER para iniciar el aparato.

## LLAME

El interruptor de LLAMA arregla el brillo de las llamas. Hay 4 formas de ajustar la intensidad y una posición de apagado. Cada vez que el botón de LLAMA se pulsa, la intensidad de las llamas disminuye. Cuando ajuste el botón de LLAMA, un número que indica el brillo de las llamas aparece en la pantalla digital. Después de prender la pantalla digital, si no pasa nada dentro de 10 segundos, la pantalla digital va a apagar.

## CALEFACTOR

El botón de CALEFACTOR enciende o apaga el calefactor

Cuando en la posición ON, pulse y mantenga pulsado el botón de CALEFACTOR por 5 segundos para entrar en el modo de ajuste de la temperatura (**Nota: esto no se puede ajustar con el mando a distancia**). Hay 11 ajustes de temperatura: 72 °F - 74 °F - 76 °F - 78 °F - 80 °F - 82 °F - ON - 64 °F - - - 72 °F (22 °C - 23 °C - 24 °C - 25 °C - 26 °C - 27 °C - ON - 18 °C - - - 22 °C). Después de que la temperatura ha sido seleccionada, la pantalla digital se destellará 5 veces y se saldrá del modo. Después de encender la pantalla digital de temperatura, si nada pasara dentro de 10 segundos, la pantalla digital se apagará.

La función del cambio de temperatura: cuando el calefactor está en la posición ON, pulse y mantenga pulsado el botón de POWER por 5 segundos, la muestra de la temperatura actual se destellará 3 veces y se convertirá a otra selección de temperatura (**Nota: esto no se puede ajustar con el mando a distancia**).

La función de bloquear y desbloquear el calefactor: pulse y mantenga pulsado el botón por 10



segundos, las brasas se destellarán 6 veces, lo que indica que la función de calefactor está cerrada. Para desbloquear la función de calefactor, pulse y mantenga pulsado el botón CALEFACTOR por 10 segundos de nuevo, entonces las brasas también se destellarán 6 veces, indicando la función de calefactor está desbloqueado a recuperar el estado original que has seleccionado. **(Nota: esto no se puede ajustar con el mando a distancia).**

## TEMPORIZADOR

El TEMPORIZADOR tiene configuraciones ajustables entre 30 minutos a 6 horas y una posición OFF, como se muestra en el siguiente: 30 minutos-1h-2h-3h-4h-5h-6h-OFF. Si la pantalla digital se enciende y no pasa nada dentro de 10 segundos, la pantalla digital se apagará automáticamente. Una vez que el temporizador se ha seleccionado y el tiempo se ha acabado, todas las funciones se cerrarán, y se entrará al modo de espera. En este modo, usted debe tocar el botón de POWER para reiniciar el aparato.

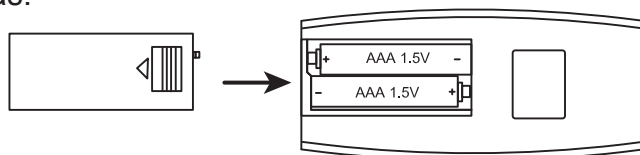
## BOTÓN AUMENTAR/DISMINUIR

Con el calentador encendido, presione el botón Aumentar o Disminuir para cambiar la temperatura. Hay 11 opciones de temperatura: 72 °F -74 °F -76 °F -78 °F -80 °F -82 °F - Encendido -64 °F ---72 °F (22 °C -23 °C -24 °C -25 °C -26 °C -27 °C - Encendido -18 °C ---22 °C).

## REEMPLAZANDO LA BATERÍA

### NOTA:

- No mezcle baterías viejas con nuevas.
- No mezcle pilas alcalinas, estándar (carbono-zinc) o recargables (NiCd, NiMH, baterías, etc.).
- No ingiera las baterías.



### PRECAUCIÓN:

- Siempre compre el tamaño y el grado de batería correcta más adecuado para el uso previsto.
- Reemplace todo el juego de baterías al mismo tiempo.
- Limpiar los contactos de la batería y también los del dispositivo antes de la instalación de la batería.
- Asegúrese de que las baterías estén instaladas correctamente con respecto a la polaridad (+ y -).
- Retire las pilas del equipo que no se van a utilizar durante un período prolongado de tiempo.
- Retire las baterías usadas prontamente.

## SOLUCIONES DE PROBLEMAS

Código de avería	Causa de la avería	Solución
E1	El sobrecalentamiento del calefactor	Llame al servicio posventa.
E2	El NTC es defectuoso	Llame al servicio posventa.
E3	El calefactor no funciona	Si las ventilaciones están sucias o atascadas. Desconecte la corriente, limpie el polvo y los desechos del área de ventilación. Espere 5 minutos, conecte y encienda el calefactor. Si el calentador todavía no funciona, por favor llame al servicio posventa.

# GARANTÍA LIMITADA DE UN AÑO

## CHIMENEA ELÉCTRICA GARANTÍA BÁSICA

Nuestra chimenea eléctrica esta libre de defectos de material y fabricación por un período de un año a partir de la fecha de compra, sujeto a las siguientes condiciones y limitaciones.

1. Esta chimenea eléctrica debe ser instalada y operada en todo momento de acuerdo con las instrucciones proporcionadas con el producto. Cualquier alteración, abuso intencionado, accidente o mal uso del producto anulará esta garantía.
2. Esta garantía es intransferible y es hecha al propietario original, siempre que la compra fue hecha mediante un proveedor autorizado del fabricante.
3. Esta garantía está limitada a la reparación o reemplazo de pieza(s) que se encuentren defectuosas en materiales o mano de obra, siempre que tal(es) pieza(s) hayan estado sujetas a condiciones normales de uso y servicio, luego de que dicho defecto sea confirmado por la inspección de fabricante.
4. El fabricante puede, a su discreción, liberar de todas las obligaciones, con respecto a esta garantía mediante el reembolso del precio al por mayor de la(s) pieza(s) defectuosa(s).
5. Cualquier instalación, trabajo, construcción, transporte u otros costos/gastos que surjan de pieza(s) defectuosa(s), reparación, reemplazo u otra cosa similar, no será cubierta por esta garantía y tampoco el fabricante asumirá responsabilidad por lo mismo.
6. El propietario/usuario asume todos otros riesgos, si alguno, incluyendo el riesgo de cualquier pérdida o daño directa, indirecta o consecuente como resultado del uso o mal uso del producto, salvo lo dispuesto por la ley.
7. Todas las otras garantías, expresas o implícitas, con respecto al producto, sus componentes y accesorios, o cualquier obligación/responsabilidad civil sobre la pieza del fabricante, por la presente se excluyen expresamente.
8. La empresa no asume, ni autoriza a ningún tercero a asumir, en su nombre, cualquier otros responsabilidades con respecto a la venta de nuestro producto.
9. Las garantías descritas en este documento no se aplican a los accesorios de terceros utilizados junto con la instalación de este producto.

Esta garantía es nula si:

- a. La chimenea es sujeta a periodos prolongados de humedad o condensación.
- b. Cualquier alteración no autorizada, abuso intencional, accidente o mal uso del producto.
- c. Usted no tiene el recibo original de compra.

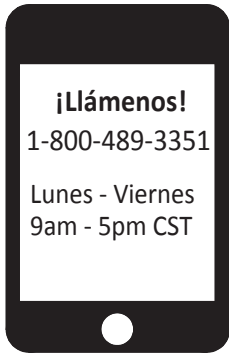
## SI NECESITA EL SERVICIO DE GARANTÍA

**¡Contactanos!**

**No Regrese este producto!**

Comuníquese con nuestro amistoso equipo de servicio al cliente para obtener ayuda.

Asegúrese de tener recibo de venta, lugar de compra y el modelo/número de serie de su producto.



Consejos de montaje



## Registra tu producto para recibir los siguientes beneficios:



- \* Nuevos detalles sobre tendencias – échale un vistazo a nuestras novedades.
- \* Encuestas – tenga una voz dentro de nuestra comunidad
- \* Ofertas exclusivas y códigos de descuento
- \* Servicio de repuestos, rápido y fácil

Para registrar su producto, visite [ameriwoodhome.com](http://ameriwoodhome.com)

## Clasificación



¡Visite el sitio web de su minorista local, califique su producto comprado y déjenos sus comentarios!

Quisiéramos extender un grande "gracias" a todos nuestros clientes por tomarse el tiempo de ensamblar este producto Ameriwood Home, y por darnos su regeneración valiosa.

*Thank You!*

Hecho en China  
Impreso en China